

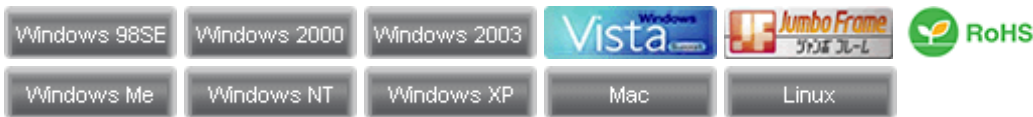
GN-1200TW2

10/100/1000 Mbps PCI Gigabit Ethernet Adapter

GN-1200TW2 PCI gigabit Ethernet adapter complies to 64-bit or 32-bit PCI specification and supports half-/full-duplex feature which can double network speed. It supports 1000Mbps(Gigabit), 100Mbps and 10Mbps network speed, 1000BaseT operates on all four pairs of category 5 UTP cable, 100BaseTX operates on two pairs of category 5 UTP cable and 10BaseT operates on Category 3, 4 or 5 UTP cable.



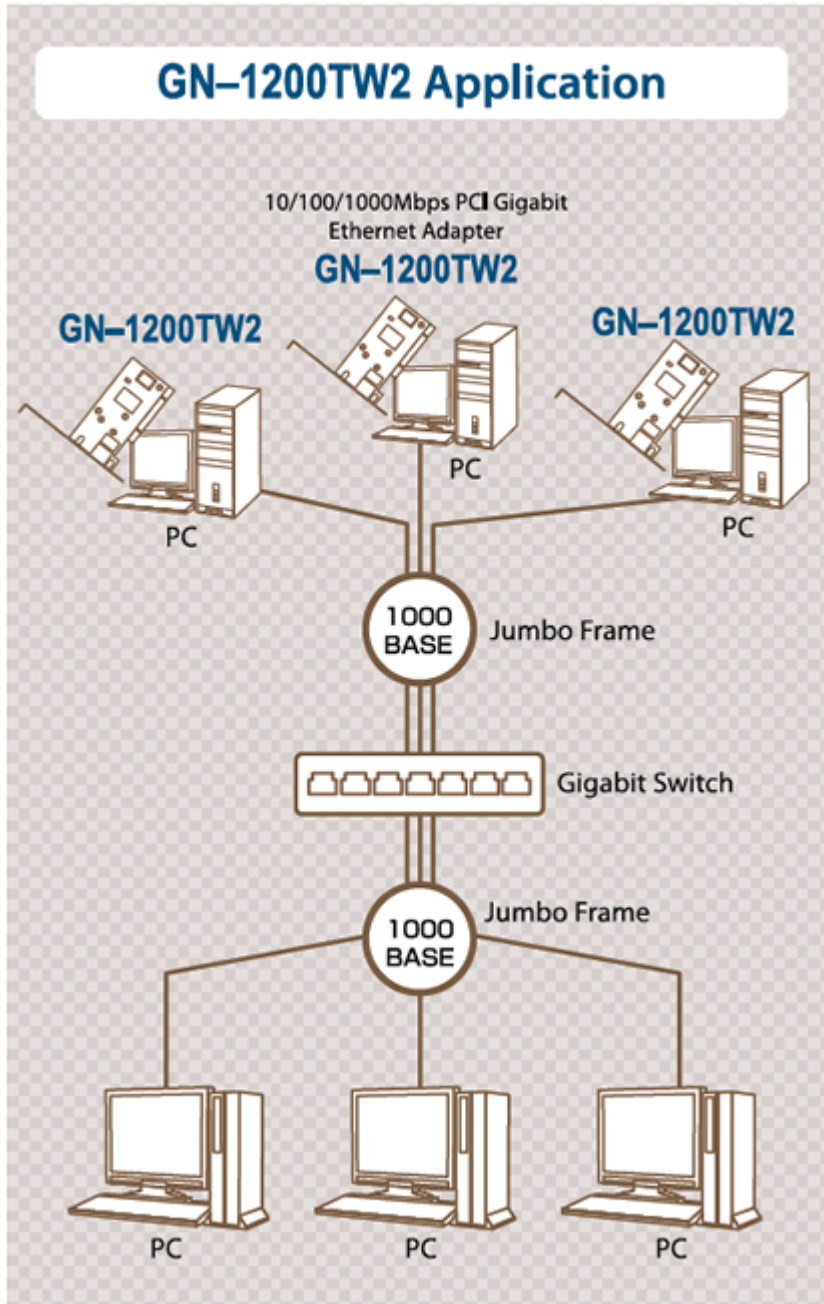
Features



- One RJ-45 connector supports 1000Mbps, 100Mbps or 10Mbps network speed and Auto-MDI/MSI-X
- Plug-and-Play installation-auto-setup IRQ and I/O address
- Supports 32-bit 66/33MHz PCI Local Bus Master Version 2.3/2.2/2.1
- Supports Wake on LAN power management function
- Supports IEEE 802.3x full duplex flow control
- Supports IEEE 802.1Q VLAN tagging.
- Supports Jumbo Frame

Specification

Model	GN-1200TW2
Connector	RJ-45
Standard	IEEE802.3x IEEE 802.3 10BaseT IEEE 802.3u 100BaseTX IEEE 802.3ab 1000BaseT
Transmission Rate	10Mbps/20Mbps 100Mbps/200Mbps 1000Mbps/2000Mbps
LED	Link/Act
Storage Temperature	0 ~ 55°C
Humidity	10% to 95% (Non-condensing)
Dimension	45(W) x 23(H) mm
EMI	FCC /CE /VCCI



PLANEX COMMUNICATIONS INC
www.planex.net