

CS-WMV01G

IEEE 802.11g Wireless Network camera

The PLANEX CS-WMV01G is the high performance network camera solution that all networking professionals are seeking for, CS-WMV01G have built network server in it, it can be used without any equipment. The ideal solution for both wired and wireless network administrator who needs high performance of the network camera. This is especially applicable to areas that needs to strict management on security, such as airports, shopping centers, military base, Bank, and university campus deployments or any place to need monitoring safely, Certainly include the family. The network camera lets you monitor your residence via standard Web browser while you are away from home. The product can be also installed at the entrance of your apartment/ condominium to monitor any individual approaching the building; If you need the environment that the best performance make you safer, PLANEX CS-WMV01G is your best choice.



Features



To monitor your home



To monitor your Office



For your child's room



Windows 98

Windows 98SE

Windows Me

Windows 2000

Windows NT

Windows XP

■ Network-ready, requires no additional device to send captured image

Its built-in CPU allows it to operate independently and thus connects to a network all by itself. Since it requires no additional equipment to send captured data, you can simply attach the camera to an existing network to monitor and transmit video image.

■ Easily configurable and monitor able via WEB browser

The Web-based configuration screen lets you easily adjust basic configuration settings via a standard WEB browser. To monitor and manage camera remotely, simply enter the IP address of the product in your Web browser.

■ Built-in microphone interface

Since the product comes equipped with an interface for external microphone, you can gather video image as well as audio data.

■ Remotely controllable wide range/pan/tilt functions

The pan (horizontal movement of camera) and tilt (vertical movement) settings can be controlled via a WEB browser. Furthermore, its Position Preset and Auto Patrolling functions let just one camera to monitor a wide area that usually requires multiple fixed network cameras. The Preset function instantly moves the camera in the direction you wish to monitor.

* Pan/Tilt : horizontal/vertical movement of camera

■ Supplied with a remote control

The pan/tilt movement of the camera can be directly adjusted via the supplied remote control. In addition to direction control keys (pan/tilt, home position), the control comes equipped with auto movement control keys including auto pan, auto patrol, center and stop keys.

■ 1/4 inch 270,000 pixel color CCD

The camera is equipped with a color CCD with effective sensor resolution of 270k pixels. Its advanced control functions including Auto Focus and Auto White Balance enable finest image capturing that best suits each instance of monitoring/ picture taking.

■ Utilizes MPEG4 as video compression

The product utilizes MPEG4, the video compression standard most suited for video data distribution. Its superb compressibility enables both i) reduction of hard disk space required to store data and ii) superior video quality.

■ Camera stand included

The supplied camera stand is attached to the bottom of the product via angle adjustment screws. Since the stand also has a hole for ceiling mounting, the product can be attached to ceiling or wall surface.

■ Image arrangement functions support wall/ceiling mounting

The product supports vertical/horizontal reversal of captured image to let you install the camera on wall surface as well as ceiling.

■ Motion detection and alarm function

The product comes equipped with a function that detects movement of the subject being monitored. Furthermore, the product can be configured to activate alarm or send out snapshot image via E-mail or upload it to an FTP server upon detection of any change in the monitored image.

* The product can be also configured to start recording upon the detection of motion (requires the supplied utility "CS ME-Watcher")

■ Analog AV output interface (NTSC)

Even when the product is not attached to a network, a TV can be attached to this interface to directly monitor image or record it via video recorder.

■ Dynamic DNS

You can access the camera via Internet even when a static global IP address has not been obtained.

■ On-board generic external device interface

An external device from other vendors (including sensor) can be attached to this interface. For instance, a sensor can be used to activate alarm or e-mail/upload snapshot to an FTP server upon change in the input image from such device, and the status of the external device can be monitored as well.

■ Multifunctional Utility Program

The supplied utility program is used to control camera, record/play captured video and convert video format, etc.

*Note: The configuration and other functions provided in the utility program are not supported under Mac OS and Linux.

- **Real-time recording/playback with audio**

Captured image as well as audio data can be easily saved to the HDD of your PC. Furthermore, you can search recorded image in the built-in record database, convert the data to bmp format and even print it out.

- **Controllable camera movement direction**

You can easily adjust the pan (horizontal movement) and tilt (vertical movement) of the camera. Not only that, the camera can be instructed to move to Preset Location that has been preconfigured via Web setup screen.

- **Supports simultaneous connections and monitoring using up to four cameras**

Up to four cameras can be connected, and you can monitor using the four cameras via the supplied utility program. This system eliminates the need to switch screen or configuration for each camera and at the same time enables highly efficient monitoring that lets you simultaneously access the image of four cameras

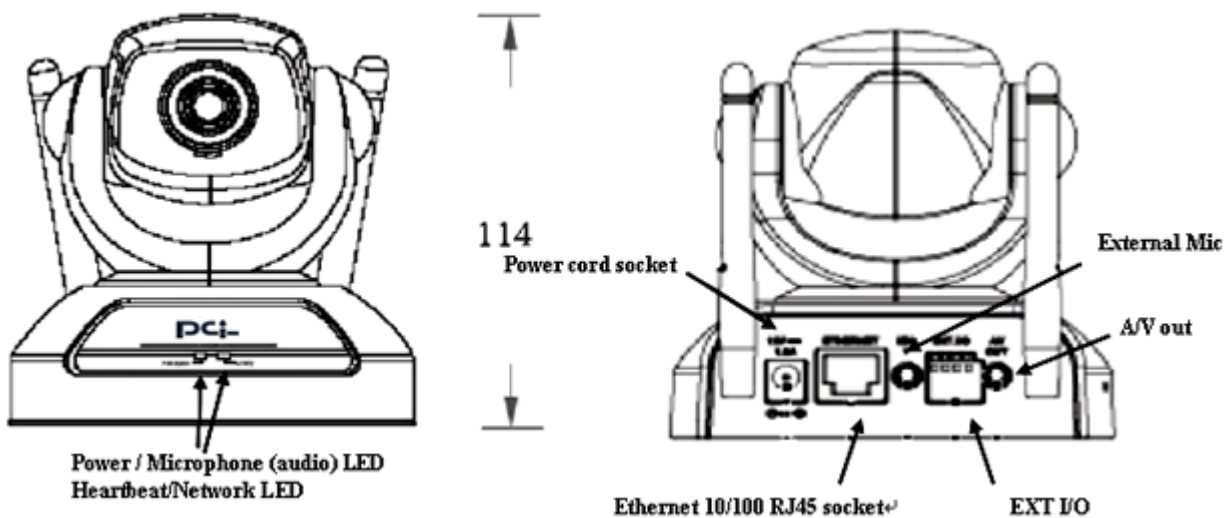
- **Scheduling function**

The recording time can be easily configured using the product's highly flexible scheduling function that meets various needs of its user. The camera can be configured to start recording based on specific day of the week/ time zone specified in advance, upon the detection of motion or when the trigger condition of the external sensor is met.

- **Limits record capacity**

The maximum capacity of record file can be configured. Once this value is reached, old data is automatically deleted to recycle record space.

Connection Sample



Specification

Model Number		CS-WMV01G
Camera	Sensor	1/4 inch NTSC color CCD with non-flashing 50/60Hz
	Resolution	512(H) * 492(V) 380 TV lines; approximately 270K pixels
	Number of Pixels	270,000 pixels
	Image Compression	MPEG4
	Pan (Horizontal)	Angle: 270° +-135° Rotation Speed: 10° to 50°/second
	Tilt (Vertical)	Angle: 135°(+90° to -45°) Rotation Speed:7° to 25°/second
	Security	User name, password
	Supported Protocols	UPnP, TCP/IP, HTTP, SMTP, FTP, NTP, DNS, DHCP
	Maximum # of Users	10
	Imaging Device	1/4 inch color CCD
	White Balance	Automatic
	Electronic Shutter	1/60 - 1/10,000 sec.
	Minimum Focus	4 Lux/F2.0
	Focal Length	4.3mm
	Lens Brightness	F2.0
Object Distance	40cm and longer	
Microphone	Sampling Rate	24Kbps, 8KHz
	Audio Input	Built-in non-directional microphone
	Frequency Range	50 to 16,000Hz
	S/N Ratio	Greater than 60dB
Interface	Supported Standards	IEEE802.3/IEEE802.3u compliant (10BASE-T/100BASE-TX)
	Number of Ports	RJ-45 x 1 port, 10BASE-T/100BASE-TX automatic detection
	Data Transfer Rate	10Mbps/100Mbps
Wireless	Supported Standards	IEEE802.11b/g , 2.4GHz
	Security	WEP keys with 128-bit
	Channel	Max 14 but territory dependent
	RF power output	Max 17dbm
	Coverage	Max 60m 54Mbps 70m 48Mbps 80m 36Mbps 120m 24/18/12/9/6/5.5Mbps 200m 2Mbps 300m 1Mbps (environment dependent)
PC Requirements	CPU	Pentium II 350MHz or greater (Pentium III 1GHz or greater recommended)
	Memory	128MB (256MB recommended)
	VGA Card Resolution	800 x 600 and higher
LED	Power/Microphone (audio) LED Heartbeat/Network LED	

Power Voltage Data	DC +12V, 1.5A
Power Consumption	8.4W max.
EMI Compliance	CE, FCC Class B, VCCI Class B
Operating Temperature	0° to 40° degrees Celsius
Operating Humidity	35 to 95% (non-condensing)
Dimensions	105(W) x 114(H) x 105(D) mm
Weight	395g
Warranty Period	1 year
Package Contents	CS-WMV01G, remote control, AC power adapter, stand kit, UTP crossover LAN cable (2m, for configuration), quick installation guide, safety notice, warranty card, manual & utility CD-ROM

PLANEX COMMUNICATIONS INC
www.planex.net