

## BRL-04R 4 Port Ethernet BroadBand Router



### Feature

BRL-04R is the Wired Router with fundamental functions and achieves a high-speed WAN to LAN throughput that approaches 100Mbps. In addition to basic functions of a broadband router, the product supports UPnP (Universal Plug and Play).

#### ■ High-speed throughput

A throughput of about 100Mbps has been achieved in the following measurement environment. \*The throughput above is based on the values measured at our testing environment.

#### ■ Internet Sharing Among Multiple Computers

Its on-board NAT/IP Masquerading (NAPT) feature converts a single global IP address into multiple local IP addresses, enabling concurrent access to the Internet from multiple computers.

#### ■ Supports DHCP Functions

Since the BRL-04R supports DHCP Server/Client features, it automatically 1) obtains an IP address from a DHCP server on the WAN side and 2) assigns a separate IP to a client attached to itself. The BRL-04R also supports manual IP assignment/configuration.

#### ■ Supports UPnP (Universal Plug and Play)

The product's UPnP feature eases the configuration tasks of network applications used on its network. Various functions such as Windows/MSN Messenger of the UPnP application can be used.

#### ■ VPN Packet Pass-Through

The product can pass through packets that are encoded between LAN and WAN via a VPN gateway device. The BRL-04R supports three VPN protocols (IPsec/PPTP/L2TP) and it enables the construction of a router-based VPN network.

#### ■ Supports network games, enables the establishment of servers on the net

Its Local Server (port forwarding) function as well as Virtual Computer (DMZ Host) function which provides static IP masquerading allow the user to play NAT noncompliant network games. The two functions also enable the user to set up globally accessible servers.

#### ■ Supports Dynamic DNS services

The BRL-04R supports Dynamic DNS Network Services provided by LLC. Simply enter the user name, password and domain name registered at dyndns.org to this product, and it will automatically update the registered information by itself.

**■ Packet Filtering with various parameters**

The access control parameters can be configured, and the LAN users' connection to the Internet (WAN side) can be fully controlled.

**■ URL Filtering Function**

A part of character sequence contained in URL or URL can be assigned, and access to the corresponding site can be restricted.

**■ On-board 4-port Switch automatically detects the straight and crossover cable types**

An internal 4-port 10/100BASE Auto-Negotiation Switch provides connection to network devices on the LAN side. Since its Auto-MDI/MDI-X function automatically detects the straight and crossover cable types, the user can connect up to four PCs directly to the switch without worrying about the cable type differences.

**■ Display in both upright or flatbed position**

Its compact body with dimensions of 100(W) x 150(H) x 30(D)mm takes any little space. Furthermore it provides a vertical stand for holding the unit in upright position.

**■ Configuration via a WEB browser**

The BRL-04R is easily configurable through a web browser. The setting screen is protected by a password ensuring the full security. Note: ISP's may place limitations on the use of routers like this product or on access to the Internet from multiple users. Please be sure to verify the service agreement provided by your ISP.

\* **BroadLanner series products are not dial-up routers**

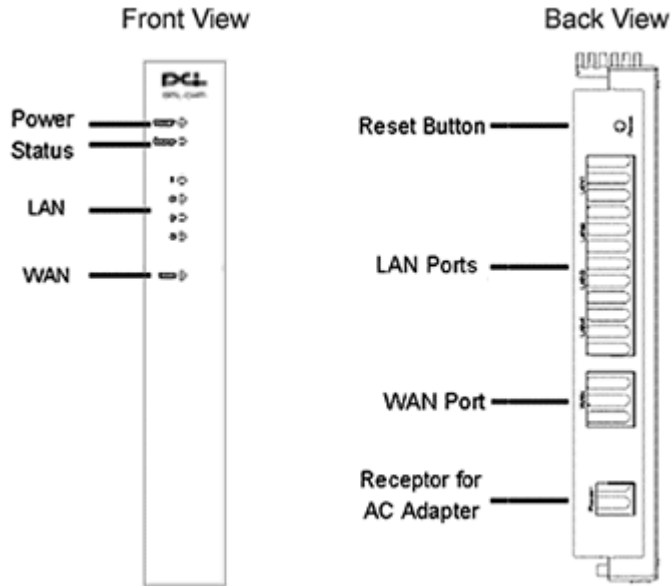
**► Specification**

<b>Model Number</b>		<b>BRL-04R</b>
<b>Standards Conformance</b>		LAN : IEEE802.3 10BASE-T,IEEE802.3u 100BASE-TX,IEEE802.3x Flow Control
		WAN : IEEE802.3 10BASE-T,IEEE802.3u 100BASE-TX,IEEE802.3x Flow Control
<b>Data Transfer Speed</b>		10/100Mbps (Auto-Negotiation)
<b>Network Port Configuration</b>	<b>WAN Port</b>	10/100BASE-TX Auto-Negotiation Port x 1 (RJ-45 connector) *Auto MDI/MDI-X Supported
	<b>LAN Port</b>	10/100BASE-TX Auto-Negotiation Port x 4 (RJ-45 connectors) *Auto MDI/MDI-X support on all ports
<b>Supported WAN Lines</b>		<ul style="list-style-type: none"> <li>- Static IP Address (Multiple Public IP address support)</li> <li>- Dynamic IP Address (DHCP Client)</li> <li>- PPP over Ethernet</li> <li>- PPTP</li> <li>- L2TP</li> </ul>

<b>Supported Network Cables</b>	10BASE-T Category 3 (or greater) twisted-pair cable ( 100m )
	100BASE-TX Category 5 (or greater) twisted-pair cable ( 100m )
<b>Supported Protocol</b>	TCP/IP
<b>Throughput</b>	100Mbps
<b>Address Translation</b>	<ul style="list-style-type: none"> <li>- NAT / NAPT</li> <li>- Virtual Server support</li> <li>- DMZ hosting</li> </ul>
<b>DHCP Server</b>	Supports up to 253 addresses (LAN ports only, can be disabled)
<b>DHCP Client</b>	Acquires an IP address from ISP (WAN port only)
<b>PPPoE</b>	Supports 2 session
	Monitoring/Automatic Connection, Keep Alive, Monitoring/Automatic Disconnection
<b>UPnP</b>	Support
<b>Dynamic DNS</b>	Support
<b>Access Control</b>	<ul style="list-style-type: none"> <li>- URL filter</li> <li>- Domain name to enforce access policy.</li> </ul>
<b>VPN Pass Through</b>	<ul style="list-style-type: none"> <li>- PPTP pass through</li> <li>- IPSec pass through</li> <li>- L2TP pass through</li> </ul>
<b>Configuration Interface</b>	Web browser
<b>LED</b>	POWER, Status, WAN, LAN
<b>Power Input</b>	DC 7.5V/1.5A for TW, 7.5V/1A for UK
<b>Dimensions(W x H x D )</b>	100(W) x 150(H) x 30(D)mm
<b>Weight</b>	200 g
<b>Operating Temperature</b>	0 to 40 degrees Celsius
<b>Operating Humidity</b>	10 to 90%(non-condensing)
<b>Required Network Cables</b>	The product supports the following Network Cables -Twisted-pair cable (Required quantity: the number of PCs attached to the product)
<b>ADSL/Cable Modem</b>	-External ADSL modem with an RJ-45(LAN) port
	-Exenal cable modem with an RJ-45(LAN) port
<b>EMI</b>	VCCI , CE ,
<b>Other</b>	For Japan only

- Multiple PPPoE
- Unnumbered IP

Product View



Connection Sample

