

SW-2024F

Layer 2 Web Smart Switch 24-port 10/100Mbps+2-port Gigabit switch

The SW-2024F has high performance 10/100BASE-TX 24 ports + 1000BASE-T 2port Gigabit web smart switch was designed for easy installation and high performance in an environment where traffic on the network and the number of users increase continuously. This device integrates 1000Mbps Gigabit Ethernet, 100Mbps Fast Ethernet and 10Mbps Ethernet network capabilities in a highly flexible package . The product also supports high-speed broadband ,This Switch (SW-2024F) must be your best choice.



▶ Feature



■ Provides Gigabit connectivity on 25~26 p

25~26 ports on the product fully support 1000Mbps connectivity. In a business environment that requires advanced information processing capability, the SW-0024G serves as an ideal switch solution for network backbones that handle large volumes of data and multimedia data.

■ All ports support Auto MDI/MDI-X

All ports support Auto MDI/MDIX, a built-in function that automatically recognizes the type (straight/crossover) of the attached cable. This feature effectively removes all wiring troubles caused by a cable type mismatch. either a crossover cable or a straight cable.

■ VLAN and QoS Improve Network Availability

The port-based VLAN feature of the product enables the construction of a logical network group that consists of multiple PC clients. The switch is also capable of managing communication bandwidth as it supports IEEE802.1p QoS, an advanced technology that assigns bandwidth to each traffic stream according to its designated priority level.

* SW-2024F: supports up to 26 port-based VLAN groups

■ Supports Port Trunking

The product supports port mirroring, a function that copies packets sent or received on a specific port to another port. A monitoring device such as Sniffer or Rmon probe can be attached to a port to analyze the details of the packets that pass through the source port.

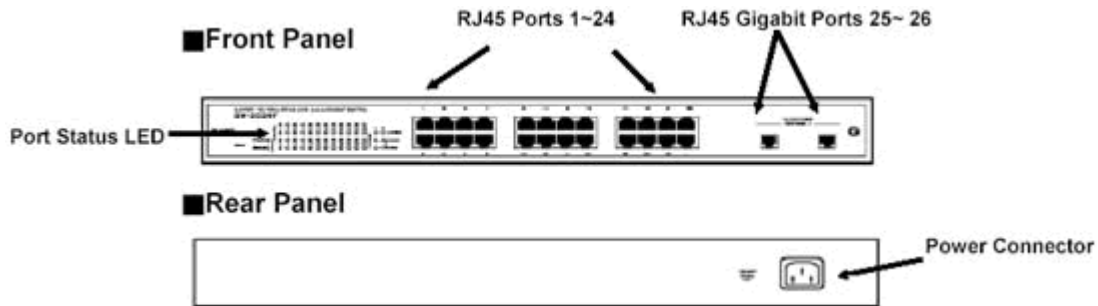
■ Higher Network Efficiency Achieved via Flow Control

supports Flow Control (Full Duplex: IEEE802.3x, Half Duplex: Back Pressure), which prevents packet losses caused by mismatches between the sending and the receiving speeds (bandwidth). The switch utilizes this technology to allow the establishment of a highly efficient and reliable networking environment.

■ Configuration via a WEB browser

The SW-2024F is easily configurable through a web browser. Using local server function can setup each port through internet.

▶ Product View



▶ Specification

Model	SW-2024F
Access Method	10/100/1000Mbps(CSMA/CD)
Supported standards	IEEE802.3 :10 BASE-T IEEE802.3u :100 BASE-TX IEEE802.3ab :1000 BASE-T IEEE802.3x :Flow Control IEEE802.1p :QoS
Supported Media	UTP/STP Cable 10Mbps :Category 3 or greater 100Mbps :Category 5 or greater 1000Mbps :Enhanced Category 5 or greater
Port Configuration	10/100BASE-TX(RJ45)x24 Port+10/100/1000BASE-T(RJ-45)x 2 ports *all ports support Auto MDI/MDI-X
Data Transfer mode	Store-and-forward
Filtering/Forwarding Rate	For each port, 10M:14,880pps 100M:148,800pps 1000M:1,488,000pps
Flow Control	Full Duplex: IEEE802.3X Half Duplex: Back Pressure
MAC Address	6,000 entries
Buffer Memory	4Mb

Internal Bus Speed	8.8Gbps
VLAN	Supports up to 26 port-based VLAN groups
Trunk	Supports 2-port Gigabit Trunk: 4Gbps Max. at Full Duplex
QoS	IEEE802.1p(2 levels)
Port Mirroring	Supported
Configuration Interface	RJ45 Interface , Web browser
Power Supply	Internal(power cable included) AC100-240V 50/60Hz
Power Consumption	16W Max
Operating Temperature	0-40°C
Operating Humidity	10%~90%(non- condensing)
Storage temperature	-10~70°C
Dimension	440(W)×44(H)×140(L) mm
Weight	2.2kg
19 inch rack-mounting	Supported
EMI	FCC Class A. CE Class A. VCCI Class A
Warranty period	1year
Package Contents	SW-2024F, Power cord, Users manual Utility CD-ROM, 19" rack-mount metal fittings with screws, Rubber footpads, Warranty card.